

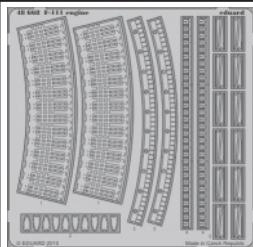


F-111 engine

eduard

48 668

1/48 scale detail set for Hobby Boss kit • sada detailů pro model 1/48 Hobby Boss



- | | | | |
|--|------------------------------------------------------------------------------------------|--|---------------------|
| | APPLY EXPRESS MASK AND PAINT BEFORE GLUING
POUŽIT EXPRESS MASK NABARVIT PŘED SLEPENÍM | | BEND
OHNOUT |
| | SYMMETRICAL ASSEMBLY
SYMETRICKÁ MONTÁŽ | | REMOVE
ODSTRANIT |
| | GRIND
OBROUSIT | | OPTION
VOLBA |
| | DRILL HOLE
VRTAT OTVOR | | REPLACE
NAHRADIT |

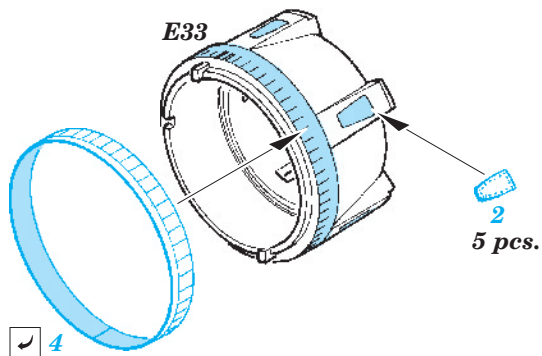
ORIGINAL KIT PARTS
PŮVODNÍ DÍLY STAVEBNICE

PHOTO-ETCHED PARTS
LEPTANÉ DÍLY

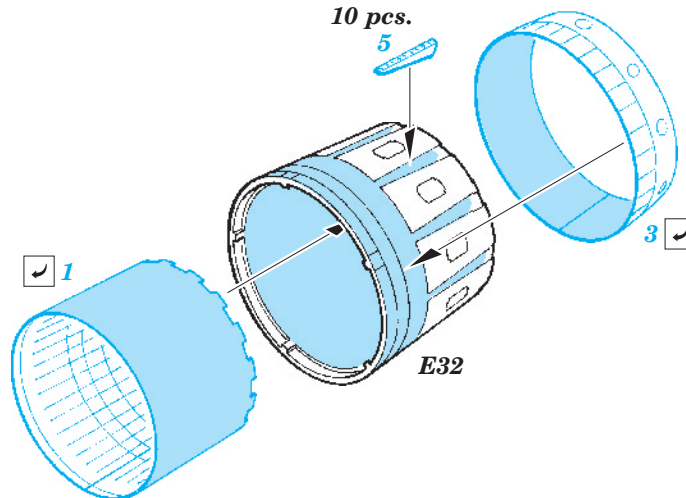
PARTS TO BE REMOVED
DÍLY K ODSTRANĚNÍ

FILL
TMELIT

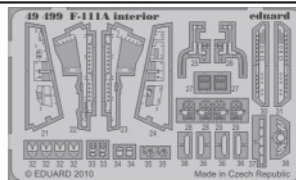
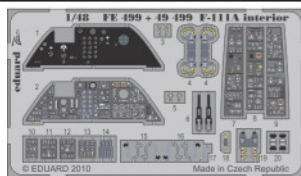
2 pcs.



10 pcs.

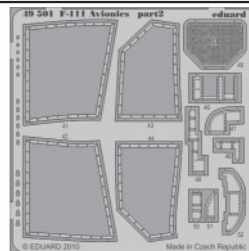
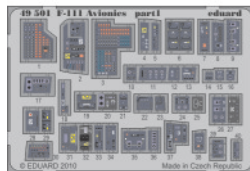


*For further detail sets look for **eduard** 49 499 F-111A interior
(not included in this set)*



*For further detail sets look for **eduard** 48 661 F-111A exterior
(not included in this set)*

*For further detail sets look for **eduard** 49 501 F-111 avionics
(not included in this set)*



*For further detail sets look for **eduard** 49 498 F-111 seat early
(not included in this set)*

*For further detail sets look for **eduard** 49 500 F-111 seat late
(not included in this set)*