

eduard
MASK

A-6 Intruder

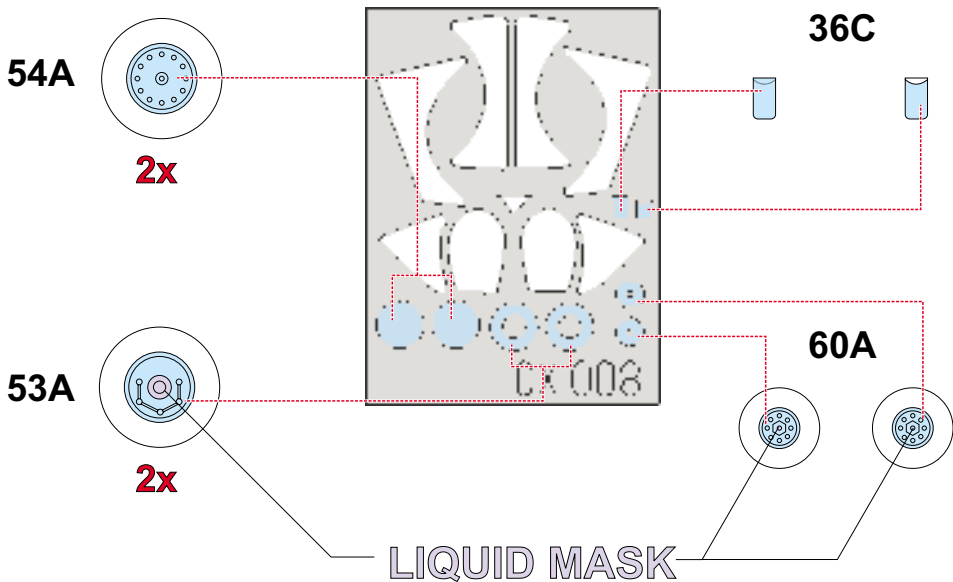
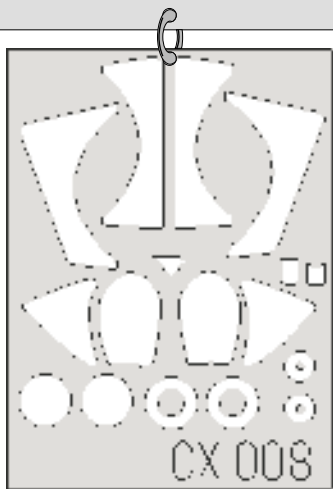
1/72

The die-cut mask for accurate canopy frame painting of the
Italeri scale 1/72 KIT

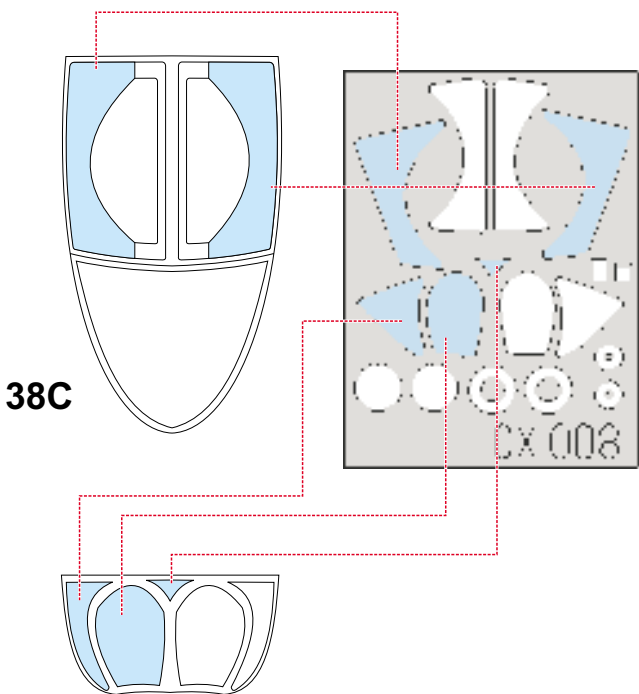
CX 008

USED

PUBLICATIONS: Replic Number 37



1.)



2.)

LIQUID MASK

